

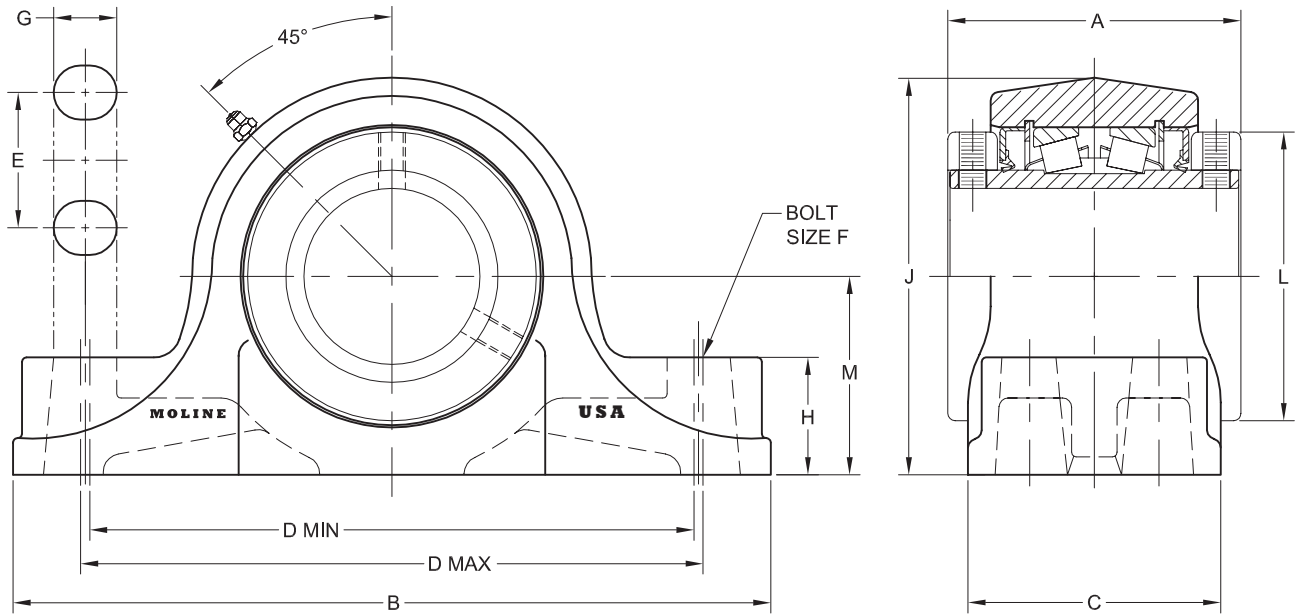
TYPE E 4-BOLT PILLOW BLOCK

SHAFT SIZE	MOLINE PART #	DIMENSIONS (INCHES)													WEIGHT LBS.
		A	B	C	MIN D	CENTER TO CENTER D	MAX D	E	F	G	H	J	L	M	
2 ¼	19341204	4	10 ½	3 ½	8 5/16	8 ½	8 11/16	1 7/8	5/8	7/8	1 5/8	5 ½	4	2 ¾	19
2 7/16	19341207														
2 ½	19341208														
60mm	19341060														
65mm	19341065														
2 11/16	19341211	4 ½	12	4	9 3/16	9 ½	9 13/16	2 1/8	5/8	7/8	1 7/8	6 ¼	4 11/16	3 1/8	26
2 ¾	19341212														
2 15/16	19341215														
3	19341300														
70mm	19341070														
75mm	19341075														
3 3/16	19341303	5	14	4 ½	10 ¾	11	11 ¼	2 3/8	¾	1 3/16	2 ¼	7 ½	5 5/16	3 ¾	44
3 ¼	19341304														
3 7/16	19341307														
3 ½	19341308														
80mm	19341080														
85mm	19341085														
90mm	19341090														
3 15/16	19341315	6 ¼	15 ¼	4 ½	12 ¼	12 ½	12 ¾	2 ¼	¾	1 ½	2 7/16	8 ½	5 ¾	4 ¼	65
4	19341400														
100mm	19341100														



TYPE E 4-BOLT PILLOW BLOCK

TYPE E



For personal service and special requests, please call us at 800.242.4633. CAD drawings available upon request at no additional charge.

Furnished in non-expansion type only.

For nomenclature see pages 226 and 227.



Post Office Box 99, Batavia, Illinois 60510, USA
630.584.4600, 800.242.4633, 630.584.1999 fax
www.molinebearing.com, sales@molinebearing.com

MOLINE BEARING CO.

TEL # **800.242.4633**

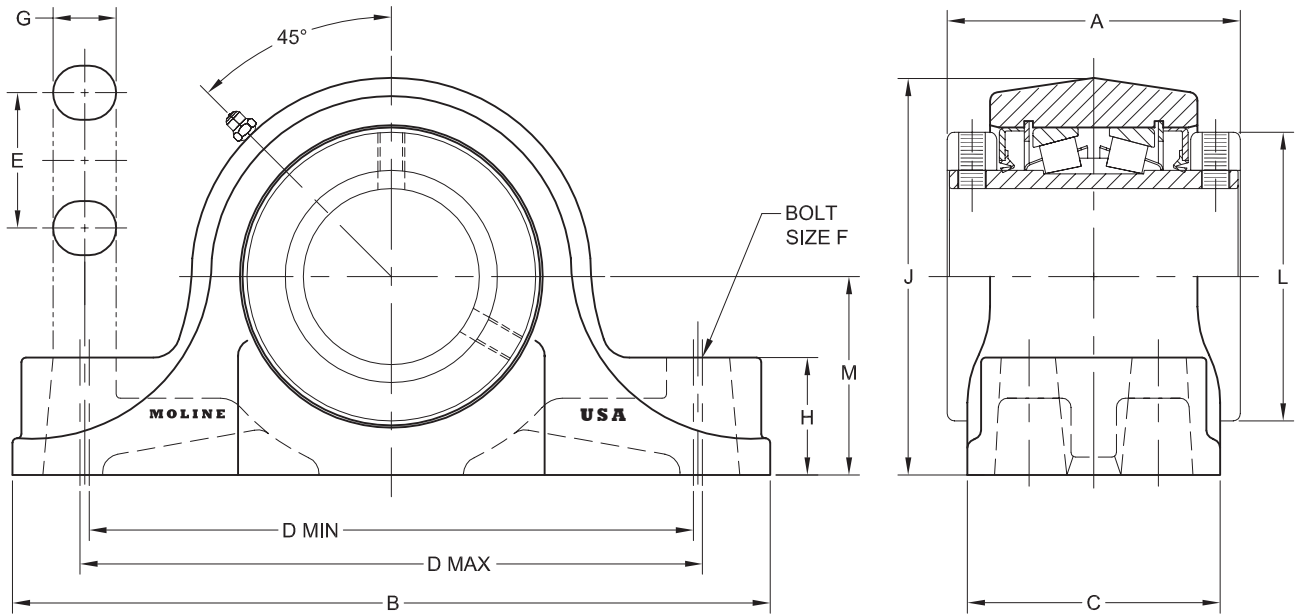
TYPE E 4-BOLT PILLOW BLOCK CONTINUED

SHAFT SIZE	MOLINE PART #	DIMENSIONS (INCHES)													WEIGHT LBS.
		A	B	C	MIN D	CENTER TO CENTER D	MAX D	E	F	G	H	J	L	M	
4 ⁷ / ₁₆ 4 ¹ / ₂ 110mm 115mm	19341407 19341408 19341110 19341115	6 ³ / ₄	16 ⁵ / ₈	4 ⁵ / ₈	13 ³ / ₄	13 ¹ / ₂	13 ³ / ₄	2 ¹ / ₂	3/4	1 ³ / ₁₆	2 ³ / ₄	9 ³ / ₈	6 ¹ / ₄	4 ³ / ₄	81
4 ¹⁵ / ₁₆ 5 125mm	19341415 19341500 19341125	7 ¹ / ₄	18 ¹ / ₂	5 ¹ / ₈	15 ¹ / ₄	15 ¹ / ₂	15 ³ / ₄	2 ³ / ₄	7/8	1 ¹ / ₄	3	10 ⁷ / ₈	7 ¹ / ₄	5 ¹ / ₂	132
5 ⁷ / ₁₆ 5 ¹⁵ / ₁₆ 6 130mm 135mm 140mm 150mm	19341507 19341515 19341600 19341130 19341135 19341140 19341150	9	22	6 ¹ / ₄	17 ³ / ₈	18 ¹ / ₄	19 ¹ / ₈	3 ³ / ₄	1	2	3 ¹ / ₄	13 ³ / ₁₆	9 ³ / ₈	6 ¹ / ₁₆	243
6 ⁷ / ₁₆ 6 ¹ / ₂ 6 ¹⁵ / ₁₆ 7 160mm 170mm 180mm	19341607 19341608 19341615 19341700 19341160 19341170 19341180	10 ¹ / ₂	26	7 ¹ / ₈	21 ¹ / ₄	22 ¹ / ₄	23 ¹ / ₄	4 ⁵ / ₈	1	2 ¹ / ₈	3 ¹ / ₁₆	15	10 ⁷ / ₈	7 ¹ / ₂	356 350 340 335 340 340 335



TYPE E 4-BOLT PILLOW BLOCK

TYPE E



For personal service and special requests, please call us at 800.242.4633.

CAD drawings available upon request at no additional charge.

Furnished in non-expansion type only.

For nomenclature see pages 226 and 227.



Post Office Box 99, Batavia, Illinois 60510, USA
630.584.4600, 800.242.4633, 630.584.1999 fax
www.molinebearing.com, sales@molinebearing.com

MOLINE BEARING CO.

TEL # **800.242.4633**