



**TIMKEN**

# TIMKEN® TYPE E TAPERED ROLLER BEARING HOUSED UNIT SECONDARY SEALING SYSTEM

**Timken offers the most robust sealing system in the industry for Type E Housed Units.**

- Help your Type E unit last longer against contamination and moisture with the Timken unrivaled multi-point sealing system.



**Pillow Block: Two-Bolt Base**



**Pillow Block: Four-Bolt Base**

***Users of this sealing system reported significantly increased uptime in severely contaminated and wet environments.***

- Give your housed unit extra protection with rugged, cost-effective covers designed to fight heavy contamination in industries where particulates are a challenge.
- Keep your bearings performing, even in harsh, dirty applications with the higher abrasion-resistant triple-barrier internal seal.
- Type E Secondary Sealing System available in the full range of units from 13/16" to 5" and 35 mm to 100 mm.



**Flange: Four-Bolt**



**Flange: Piloted**



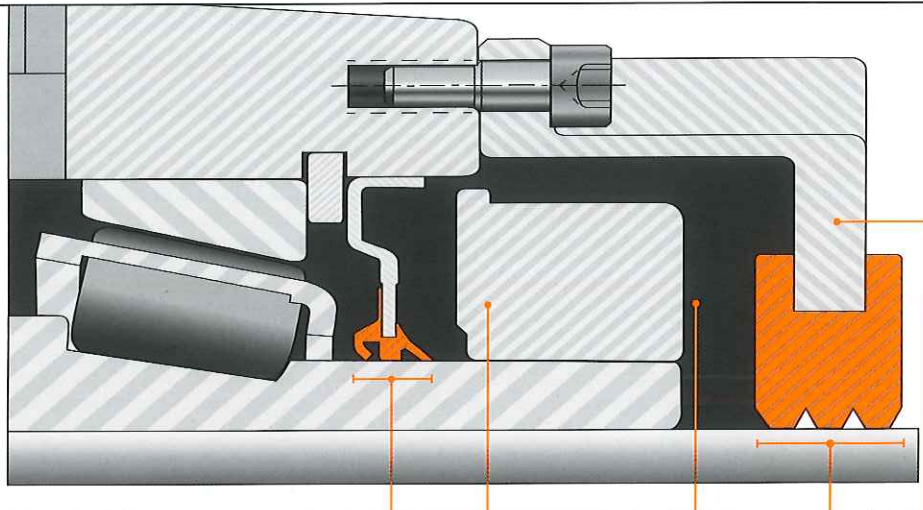
**Take-Up: Wide Slot**



**Take-Up: Top Angle**



# UNRIVALED MULTI-POINT SEALING SYSTEM



<b>Upgraded triple-barrier internal bearing seal</b> <ul style="list-style-type: none"> <li>Two contact lips and one rigid middle labyrinth section to help retain grease and reduce contamination ingress</li> <li>New enhanced seal material to provide greater performance with 2X more abrasion resistance than the industry standard nitrile seal</li> </ul>	<b>Locking collar</b>	<b>Grease in cavity of end cover</b>	<b>Triple-lip external rubber through shaft seal</b>	<b>External secondary cover</b>
<b>3</b>	<b>1</b>	<b>1</b>	<b>3</b>	<b>1</b>

Points of Sealing:

## TYPE E TAPERED HOUSED UNIT SECONDARY SEALING SYSTEM NOMENCLATURE

Sealing System kits include Type E housed unit and end covers and will come with upgraded higher abrasion-resistant bearing seals.

**E - P2B - TRB - 2<sup>15/16</sup> - ECO/ECO**

**Housing Options:**  
E – Type E dimensions

**Rolling Element:**  
TRB – tapered roller bearing

**Secondary Sealing Kit Options:**  
ECO – Type E housed unit with one open end cover  
ECC – Type E housed unit with one closed end cover  
ECO/ECO – Type E housed unit with two open end covers  
ECO/ECC – Type E housed unit with one open and one closed end cover

**Housing Construction Options:**  
P2B – pillow block: two-bolt, cast iron  
P4B – pillow block: four-bolt, cast iron  
4BF – flange: four-bolt, cast iron  
PF – flange: piloted, cast iron  
TU – take-up: wide slot, cast iron  
TTU – take-up: top angle, cast iron

**Bore Code: Bore Size:**  
1 3/16 – 1 3/16 in.  
2 15/16 – 2 15/16 in.  
5 – 5 in.  
35MM – 35 mm  
120MM – 120 mm

### STRONGER OUTSIDE, SMARTER INSIDE –

Timken® Housed Units deliver a single brand solution for consistency, control and confidence.



The Timken team applies their know-how to improve the reliability and performance of machinery in diverse markets worldwide. The company designs, makes and markets high-performance mechanical components, including bearings, belts, chain, gears and related mechanical power transmission products and services.

**Stronger. By Design.**

[www.timken.com](http://www.timken.com)