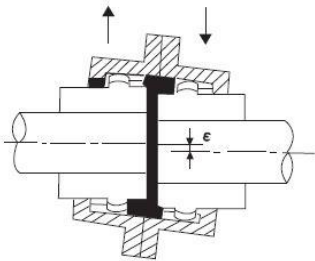




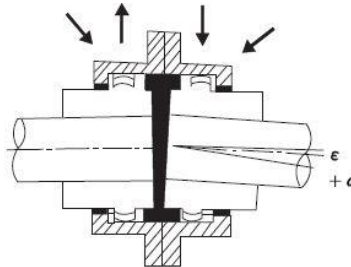
GEAR COUPLINGS

Drive Components Gear Couplings comply with AGMA Standards assuring full interchangeability. Our gear couplings compensate for angular, parallel and combination misalignment along with axial end float. The precision machined, fully crowned hub teeth result in minimum loading stress leading to longer life.

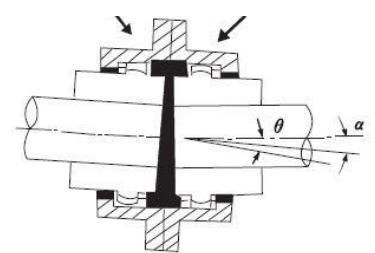
Parallel Misalignment



End Float



Angular Misalignment

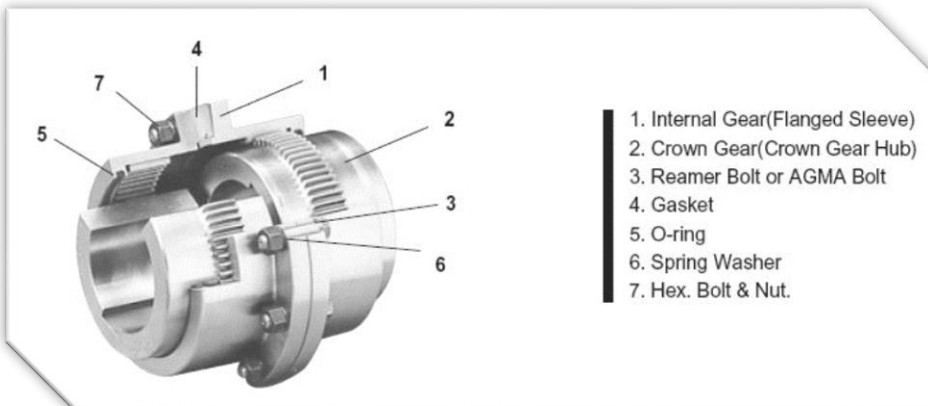


Capable of 1½° misalignment per gear mesh up through size 60, 1° for larger sizes.

Half coupling interchangeable with industry standard!

Characteristics

- High Torque
- Compact
- Long Life
- High Quality Gasketing
- Easy Assembly
- Other Styles and Configurations Available



1. Internal Gear(Flanged Sleeve)
2. Crown Gear(Crown Gear Hub)
3. Reamer Bolt or AGMA Bolt
4. Gasket
5. O-ring
6. Spring Washer
7. Hex. Bolt & Nut.

Stocking Warehouse Location

6519 Eastland Road - Suite#106, Brookpark, Ohio 44142
 Phone: (440) 234-6200 • Fax: (440) 234-1200 • Email: sales@drivecomponentsllc.com

