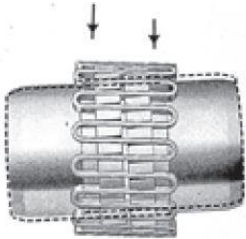
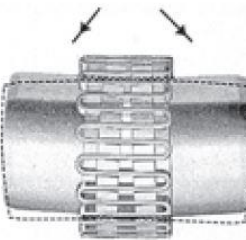


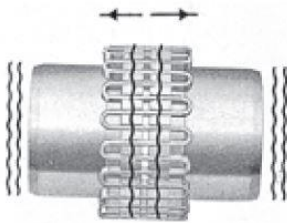
TAPER GRID COUPLINGS



Parallel Misalignment
The movement of the grid in the lubricated grooves accommodates parallel misalignment.



Angular Misalignment
Under angular misalignment, the grid-groove design permits rocking and sliding action of the lubricated grid and hubs without any loss of power through the resilient grid.

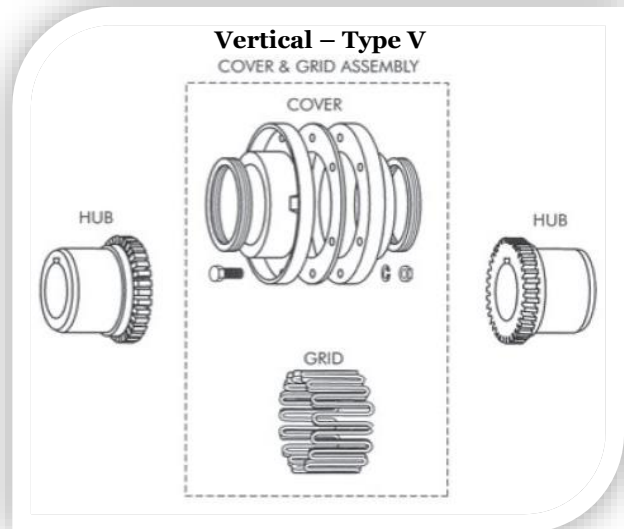
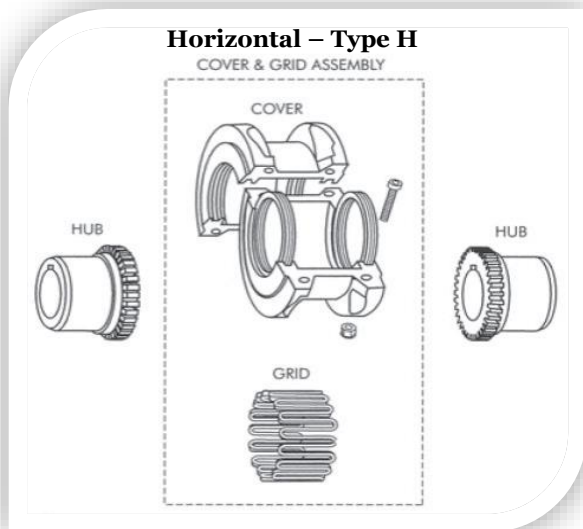


End Float
Unrestrained end float of driving and driven members is permitted because the grid slides freely in the lubricated grooves.

Torsional Flexibility
Torsional flexibility of Taper Grid Couplings can dampen vibration and shock by 30% or more.

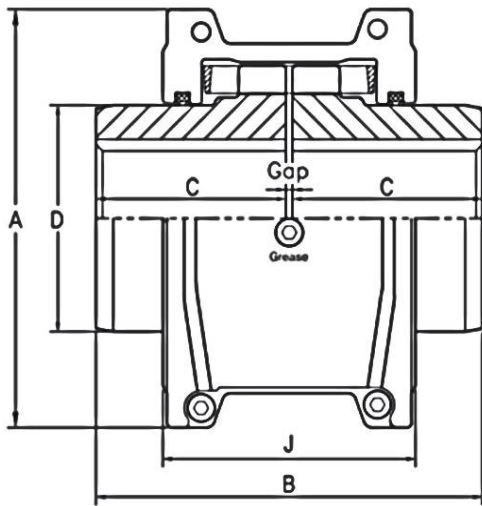


Interchangeable with industry standard grid couplings!

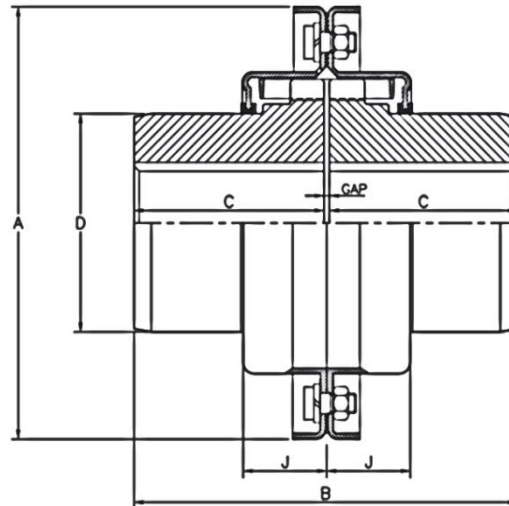


Stocking Warehouse Location

6519 Eastland Road - Suite#106, Brookpark, Ohio 44142
Phone: (440) 234-6200 • Fax: (440) 234-1200 • Email: sales@drivecomponentsllc.com



Type H (T10)



Type V (T20)

Type V (Vertical Split - T20)

Size	Torque Rating (lbs-in)	Allow Speed (rpm)	Max Bore (in)	Min Bore (in)	Coupling Wt. No Bore (lbs)	Lube Weight (lbs)	Dimensions (in)					
							A	B	C	D	J	Gap
1020	460	6,000	1.0625	0.5000	4	0.06	4.42	3.87	1.87	1.56	0.94	0.12
1030	1,319	6,000	1.3750	0.5000	6	0.09	4.80	3.87	1.87	1.94	0.98	0.12
1040	2,204	6,000	1.6875	0.5000	7	0.12	5.11	4.12	2.00	2.25	1.02	0.12
1050	3,850	6,000	1.9375	0.5000	12	0.15	5.86	4.87	2.37	2.63	1.20	0.12
1060	6,054	6,000	2.1875	0.7500	15	0.19	6.42	5.12	2.50	3.00	1.25	0.12
1070	8,798	5,500	2.6250	0.7500	22	0.25	6.86	6.12	3.00	3.44	1.32	0.12
1080	18,144	4,750	3.1250	1.0625	39	0.38	7.92	7.12	3.50	4.13	1.72	0.12
1090	33,013	4,000	3.6875	1.0625	56	0.56	9.17	7.87	3.87	4.87	1.85	0.12
1100	55,583	3,250	4.3125	1.6250	93	0.94	10.55	9.67	4.75	5.59	2.35	0.20
1110	82,489	3,000	4.6875	1.6250	120	1.12	11.30	10.18	5.00	6.31	2.47	0.20
1120	121,255	2,700	5.5000	2.3750	180	1.62	12.61	11.98	5.87	7.06	2.90	0.24
1130	176,130	2,400	6.6875	2.6250	269	2.00	14.92	12.98	6.37	8.56	2.95	0.24
1140	253,131	2,200	7.8125	2.6250	397	2.49	16.42	14.63	7.25	10.00	3.08	0.24

Type H (Horizontal Split - T10)

Size	Torque Rating (lbs-in)	Allow Speed (rpm)	Max Bore (in)	Min Bore (in)	Coupling Wt. No Bore (lbs)	Lube Weight (lbs)	Dimensions (in)					
							A	B	C	D	J	Gap
1020	460	4,500	1.0625	0.5000	4	0.06	3.82	3.87	1.87	1.56	2.63	0.12
1030	1,319	4,500	1.3750	0.5000	6	0.09	4.16	3.87	1.87	1.94	2.69	0.12
1040	2,204	4,500	1.6875	0.5000	7	0.12	4.50	4.12	2.00	2.25	2.75	0.12
1050	3,850	4,500	1.9375	0.5000	12	0.15	5.32	4.87	2.37	2.63	3.19	0.12
1060	6,054	4,350	2.1875	0.7500	16	0.19	5.82	5.12	2.50	3.00	3.68	0.12
1070	8,798	4,125	2.6250	0.7500	23	0.25	6.25	6.12	3.00	3.44	3.81	0.12
1080	18,144	3,600	3.1250	1.0625	39	0.38	7.50	7.12	3.50	4.13	4.55	0.12
1090	33,013	3,600	3.6875	1.0625	56	0.56	8.31	7.87	3.87	4.87	4.81	0.12
1100	55,583	2,440	4.3125	1.6250	93	0.94	9.88	9.69	4.75	5.59	6.12	0.20
1110	82,489	2,250	4.6875	1.6250	120	1.12	10.62	10.20	5.00	6.31	6.36	0.20
1120	121,255	2,025	5.5000	2.3750	179	1.62	12.12	11.98	5.87	7.06	7.54	0.24
1130	176,130	1,800	6.6875	2.6250	267	2.00	13.62	12.98	6.37	8.56	7.68	0.24
1140	253,131	1,650	7.8125	2.6250	392	2.49	15.12	14.74	7.25	10.00	7.92	0.24

Stocking Warehouse Location

6519 Eastland Road - Suite#106, Brookpark, Ohio 44142

Phone: (440) 234-6200 • Fax: (440) 234-1200 • Email: sales@drivecomponentsllc.com