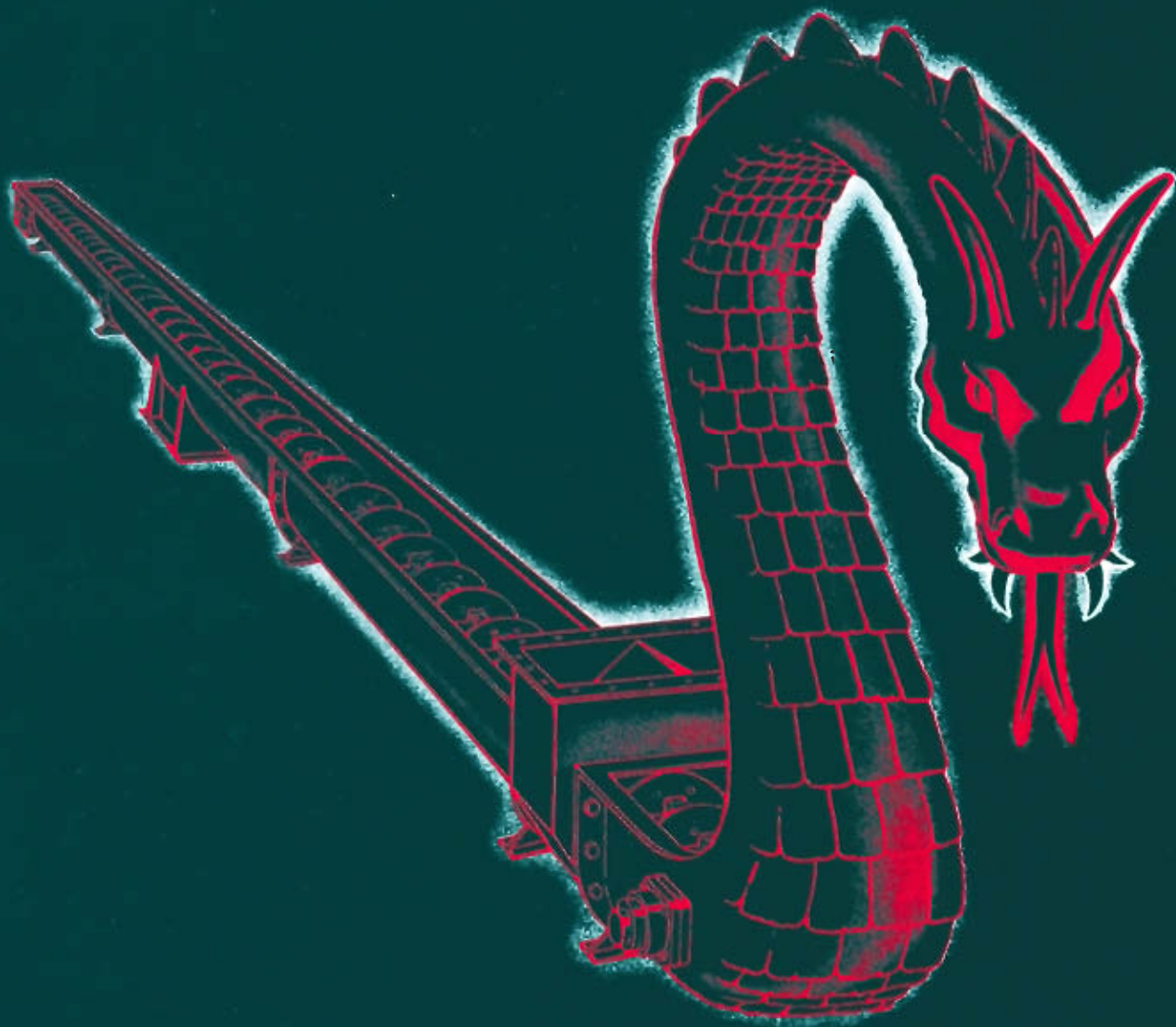


DRAGON FLITE CONVEYERS



KWS MANUFACTURING COMPANY, INC.

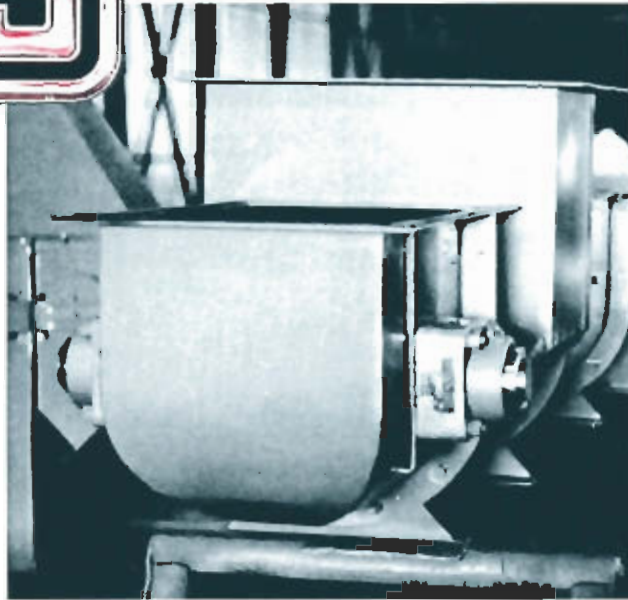
3041 CONVEYOR DR. • BURLISON, TEXAS 76028

P.O. BOX 1550 • JOSHUA, TEXAS 76058

871/295-2247 • 817/295-5951 • <http://www.kwsmfg.com>



KWS DRAGON-FLITE



KWS Dragon-Flite (9"-24") up to 27053 cfh capacity.

Let KWS Dragon-Flite be your best production booster. Its efficient delivery transfers materials faster and smoother, without damaging agitation or tumbling, to keep your production pace flowing.

gives your bulk materials a faster, smoother, more efficient ride.

Design & Construction

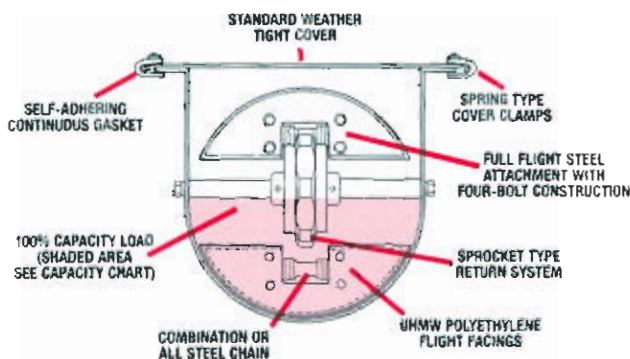
Dragon-Flite has been designed for high performance and low maintenance. The trough design and durable heavy-gauge carbon steel or stainless steel (optional) construction combine to provide greater strength and structural rigidity and to prevent product-contaminating rust spots.

The sprocket-idler return system allows increased operating speeds, reduces friction, and ensures a quieter, smoother delivery.

Rotating return sprockets of ultra-high molecular polyethylene are spaced intermittently in the trough to cushion the load and reduce friction on chains and flites. This design increases parts life and thereby reduces operating costs.

With Dragon-Flite, you can select the system most appropriate to your product. For lighter weight, less corrosive materials, an internal-bearing system is employed (idler assembler mounts inside the trough on steel shafts). For extremely corrosive or abrasive material, an external-bearing system is used (sprockets and shafts rotate on antifriction bearings outside the trough).

Intermediate discharge gates may be of three types: operated by rack and pinion with handwheel (or pocketwheel and chain), air cylinder, or electric motor.



Versatile Configuration

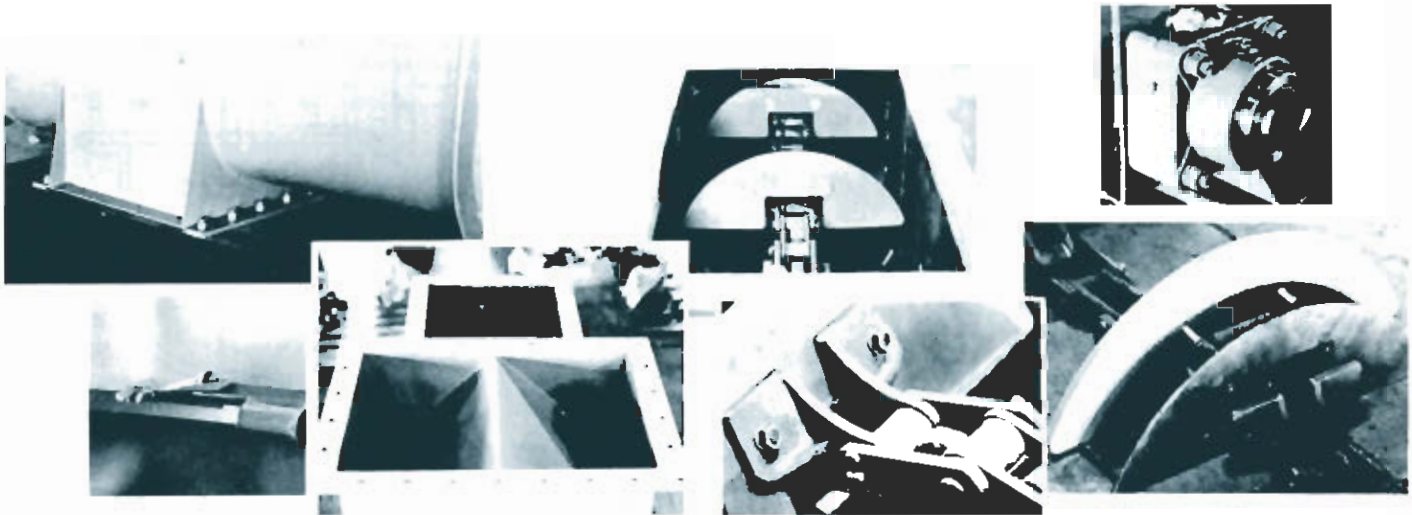
The versatile Dragon-Flite can move bulk materials as your situation demands: horizontally, or inclined up to 30° on standard application.

Any inclination will reduce the capacity. The amount of the reduction depends on both the level of inclination and the type of material. Consult our engineers about the configuration you need, as well as the capacity, speed, and horsepower of inclined units.

Installation - Maintenance

Each KWS Dragon-Flite unit meets rigid quality-control tests before it leaves the factory. Every unit is preassembled, tested, match-marked, dismantled, and then shipped in 30-ft. lengths (approximate).

All parts are quickly and easily accessible for routine maintenance and repair. The factory stocks all parts and will ship what you need immediately.



Standard Features

Self-Cleaning Action

Full steel-backed UHMW polyethylene flites are contoured to the trough bottom for effective self-cleaning action to eliminate contamination or product mix.

Bypass Inlet

Continuous and even distribution of material flow is ensured by inlet which balances and

diverts incoming materials around return flites to trough bottom.

Inspection Door

Hinged door allows quick, easy access for observation. Flanged door edges eliminate dust buildup and keep materials moisture- and dirt-free.

Optional Features

Extended Bypass Inlets

For use under surge bins and pit hoppers: special extended length bypass inlets and custom-made feed inlet sections.

Overload Relief Switch Assembly Special Materials

Troughs, covers, and spouts may be fabricated of alloys (stainless steel, for example) or galvanized materials for special requirements to withstand corrosion.

Flites made of special materials are available to handle abrasive or corrosive materials or those with unusual properties.

Reversible Unit

Dragon-Flite units can be constructed to operate as a reversible unit. In these instances, a discharge terminal (without slide gates) is installed on both ends of the conveyor. One terminal has a take-up; the other does not.

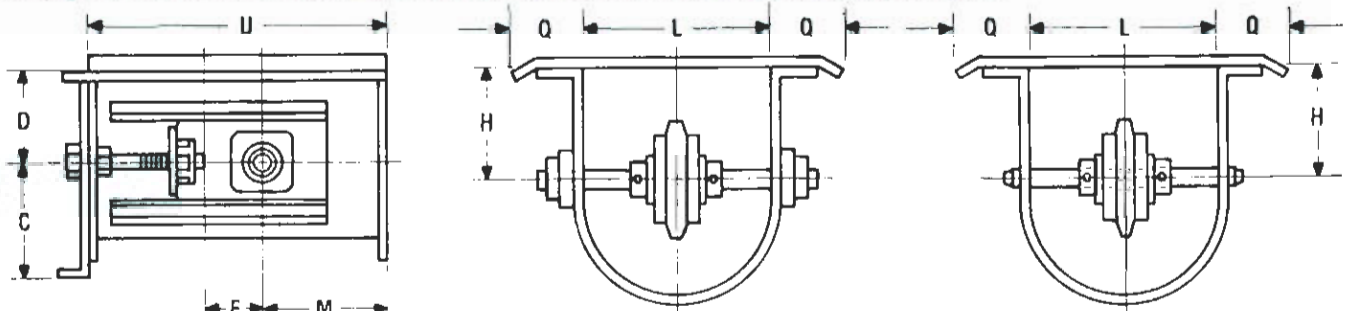
*Consult our engineering department about
all your special needs.*

DRAGON-FLITE HORSEPOWER & CAPACITIES

SIZE	Horsepower Per Foot of Length [Ⓢ]				"SS" STEEL CHAIN		"C" COMBINATION		RPM	RPM	RPM	RPM	Cu. Ft.*	Cu. Ft.*	Cu. Ft.*	Cu. Ft.*
	100' Per Min.	124' Per Min.	150' Per Min.	175' Per Min.	Max H.P. @ 100'/Min.	Max H.P. @ 175'/Min.	Max H.P. @ 100'/Min.	Max H.P. @ 175'/Min.	@ 100'/Min.	@ 125'/Min.	@ 150'/Min.	@ 175'/Min.	@ 100' Per Min.	@ 125' Per Min.	@ 150' Per Min.	@ 175' Per Min.
9'	.046	.053	.060	.066	—	—	8.52	14.9	61	76	92	106	2,115	2,645	3,170	3,700
12'	.060	.070	.080	.090	18.9	33.1	13.2	23.2	45	56	68	79	3,410	4,260	5,120	5,970
14'	.075	.089	.103	.116	18.9	33.1	13.2	23.2	38	47	57	66	4,855	6,070	7,280	8,500
16'	.089	.106	.123	.130	18.9	33.1	13.2	23.2	35	44	53	61	6,475	8,090	9,710	11,330
18'	.106	.126	.148	.170	18.9	33.1	13.2	23.2	30	38	46	53	8,585	10,730	12,875	15,020
20'	.132	.160	.189	.216	30.3	53	22.7	39.8	27	34	41	47	10,735	13,420	16,100	18,785
24'	.168	.205	.242	.279	30.3	53	22.7	39.8	23	29	35	41	15,460	19,325	23,185	27,055

* To convert to bushels, multiply cubic feet x 0.8

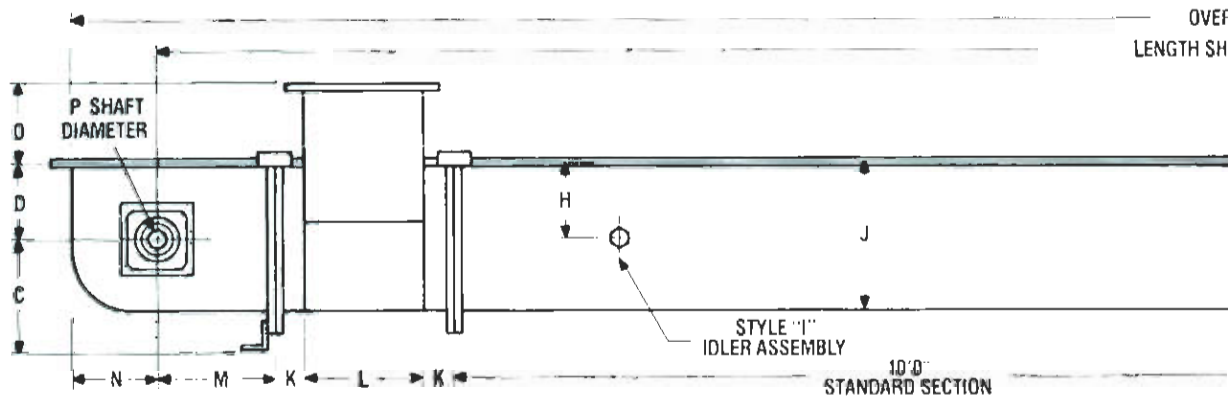
Capacities are calculated on free-flowing small grains weighing 48 lbs. per cubic foot (60 lbs. per bushel). Both horsepower and capacity will vary when conveying other materials. For further information on other materials, reversible or inclined units, consult our engineering staff.



TAKE-UP TAIL SECTION

TYPICAL SECTION
STYLE "E" IDLER ASSEMBLY

TYPICAL SECTION
STYLE "I" IDLER ASSEMBLY



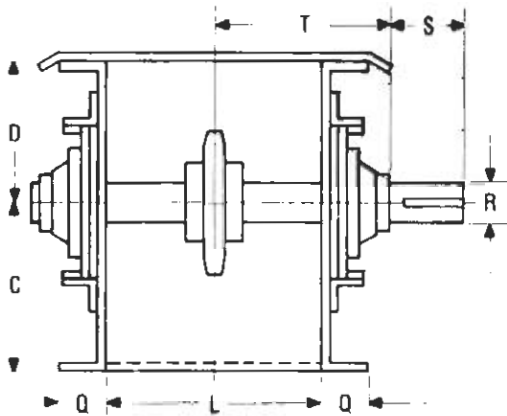
STANDARD TAIL SECTION

BY-PASS INLET

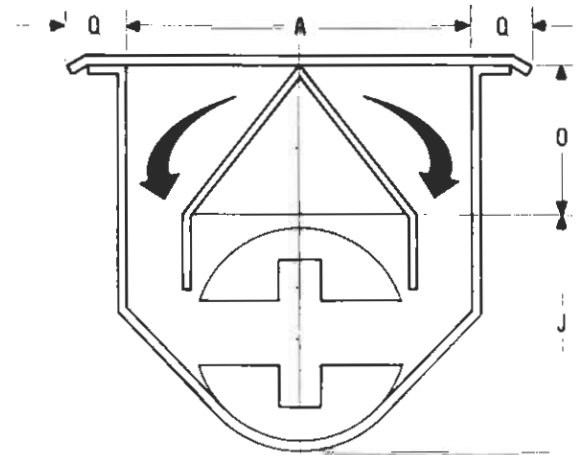
SIZE	A	B	C	D	E	F	G	H	I	J	K
9'	16	23	8½	5½	4½	10	35	4½	16½	11½	3
12'	20	25	10	7½	4½	10	43	6½	19½	14½	3
14'	23	27	11½	8½	4½	12	49	7½	22½	16½	3
16'	26	30	12½	9½	5½	12	55	8½	24½	19½	3
18'	29	33	14½	11½	5½	14	60	9½	27½	21½	3
20'	32	36	16½	12½	5½	17	67	10½	29½	24	3
24'	38	42	19½	15½	5½	20	79	11	34½	29	3

Dimensions given are typical and may vary slightly with type and size of chain specified.

DIMENSIONS/ SPECIFICATIONS

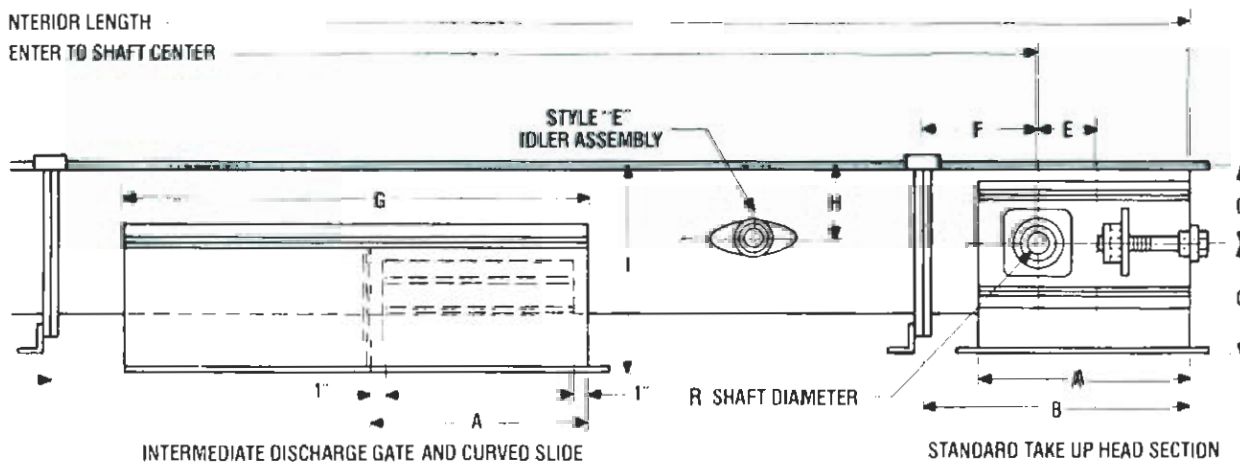


SECTION 1-1
HEAD SECTION



SECTION 2-2
STANDARD BY-PASS INLET

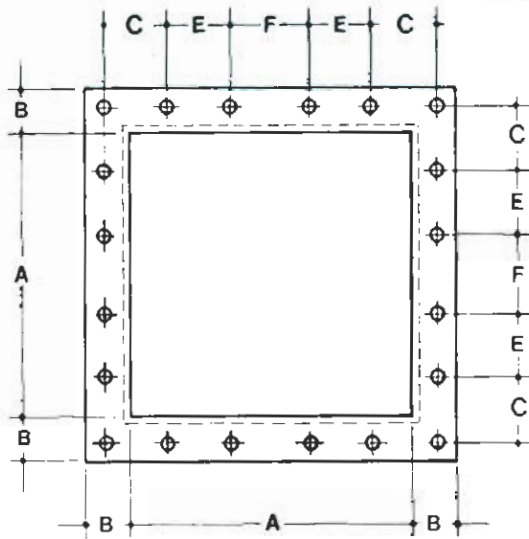
INTERIOR LENGTH
ENTER TO SHAFT CENTER



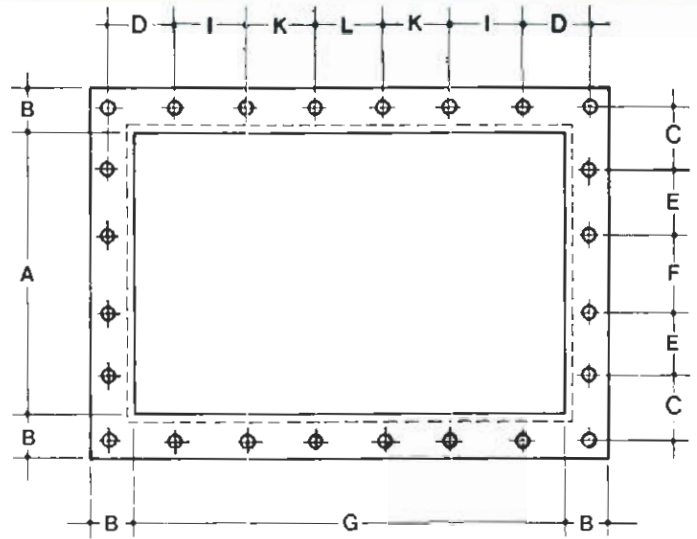
INTERMEDIATE DISCHARGE GATE AND CURVED SLIDE

STANDARD TAKE UP HEAD SECTION

SIZE	L	M	N	O	P	Q	R		S	T	U
							STD	SPEC			
9"	10	5½	6	5	1½	1¾	2	—	4	7⅞	18
12"	13	11	7½	6	2	2¼	2⅞	3	4	9⅞	25
14"	15	11	9	7	2	2¼	2⅞	3	4	10⅞	26
16"	17	12	10	8	2⅞	2¼	2⅞	3	5	11⅞	31
18"	19	12	11	9	2⅞	2¼	3	3⅞	5	13⅞	32
20"	21	12	12½	10	2⅞	2¼	3	3⅞	5	14⅞	32
24"	25	12	14½	12	2⅞	2¼	3	3⅞	6	16⅞	32



**OPTIONAL INLET
FLANGE DRILLING PATTERN**



**TYPICAL HEAD SECTION DISCHARGE
INTERMEDIATE DISCHARGE
BY-PASS INLET
FLANGE DRILLING PATTERN**

SIZE	A	B	C	D	E	F	G	I	K	L
9"	10	1½	2	3	4	-	16	4	-	4
12"	13	2½	1¾	3¼	4	4	20	4	4	-
14"	15	2½	2¾	2¾	4	4	23	4	4	4
16"	17	2½	1¾	2¼	8	-	26	8	-	8
18"	19	2½	3	4	8	-	29	8	-	8
20"	21	2 ⁵ / ₈	4	5½	8	-	32	8	-	8
24"	25	2 ⁵ / ₈	3	4½	8	8	38	8	8	-

Dimensions given are typical and may vary slightly with type and size of chain specified.

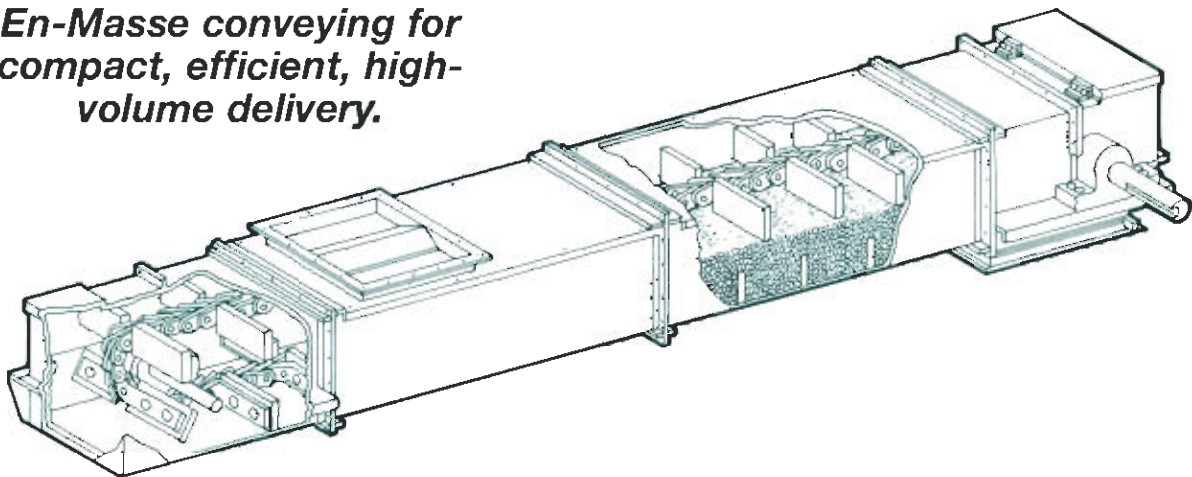
APPROXIMATE SHIPPING WEIGHTS

Size	Head Section			Tail Section			Inlet		Intermediate Section: Per Ft		
	Shaft Dia.	Weight Lbs.	Gage	Shaft Dia.	Weight Lbs.	Gage	Weight Lbs.	Gage	Weight Lbs.	Trough Gage	Cover Gage
9"	2	120	12	1½	50	12	60	12	25	12	16
12"	2 ⁷ / ₁₆	200	10	2	90	10	110	10	40	10	14
	3	220									
14"	2 ⁷ / ₁₆	220	10	2	110	10	140	10	42	10	14
	3	240									
16"	2 ⁷ / ₁₆	270	10	2 ⁷ / ₁₆	145	10	155	10	50	10	14
	3	300									
18"	3	360	10	2 ⁷ / ₁₆	200	10	230	10	62	10	14
	3 ¹ / ₁₆	400									
20"	3	420	10	2 ⁷ / ₁₆	250	10	280	10	68	10	14
	3 ⁷ / ₁₆	460									
24"	3	500	10	2 ⁷ / ₁₆	280	10	360	10	80	10	14
	3 ¹ / ₁₆	560									

DRAG- MASTER CONVEYORS



En-Masse conveying for compact, efficient, high-volume delivery.



The compact En-Masse is an efficient, high-performance alternative to conventional means of material handling.

Because it conveys a high volume of material, yet requires much smaller amounts of space, the En-Masse is an ideal solution for congested areas where several units are discharging in the same location.

Material is moved as a large "solid" mass with no internal turbulence, at low speeds, using 85% of the trough for material. The resulting high capacity and lack of turbu-

lence allows the En-Masse to handle almost all types of bulk materials, including fragile types many other conveyors cannot handle well.

This high-performer uses $\frac{2}{3}$ the horsepower of an equivalent, conventional unit. It is weather- and dust-free, and can be self-cleaning, depending on materials.

Talk to our sales engineers about ways the En-Masse can be the compact solution to your materials delivery problems.

What's so special about KWS MANUFACTURING COMPANY, INC.?

Take a look. KWS is setting the standard of excellence for the material handling industry. From a complete system to a replacement part - KWS delivers. You expect that standard of excellence from KWS MANUFACTURING COMPANY, INC. We demand it.

KWS MANUFACTURING COMPANY, INC.

CONDITIONS OF SALE



ALL PRICES CONTAINED HEREIN ARE LIST
SUBJECT TO DISCOUNT, AND SUBJECT TO
CHANGE WITHOUT NOTICE.

The price schedules shown are based on sale of the material as merchandise only. Additional charges may be made to cover the cost of unusual services such as special packing, engineering or other necessary special costs.

PRICES AND ACCEPTANCES

All quotations are valid only for thirty (30) days from date of quotation unless otherwise agreed upon in writing.

WARRANTY AND DISCLAIMER

KWS MANUFACTURING COMPANY, INC. warrants that equipment of its manufacture is free from defects in material and workmanship at the time of shipment and for a period of thirty (30) days after shipment to the original consignee. We will repair or replace, at our option, any product of our manufacture which is shown to our satisfaction to have been defective at the time it was shipped; provided the product claimed defective is made available for our inspection. Return and reshipping methods per our option. We shall not be responsible for cost of disassembly or assembly at the job site. This warranty does not cover, 1) damage or deterioration due to use or misuse, exposure, alteration, negligence or accident, 2) products that have been altered or repaired by others without our permission, 3) equipment manufactured by others and included in our proposals.

This is the only warranty, either expressed, implied, or statutory and liability is limited to the repair or replacement of parts. We shall not be liable for any other expense, injury, loss or damage, whether direct or consequential, including but not limited to loss of profits, production, increased cost of operation, spoilage of materials, or any delay arising in connection with the use, or inability to use our product for any purpose. All other damages and warranties are expressly waived by the purchaser.

PROMISE OF DELIVERY

Represents only our estimate of time necessary to complete the work and failure to complete within the time estimated will not warrant cancellation of the order unless upon terms which will indemnify us against loss.

CANCELLATION

All orders are considered firm contracts and are not subject to cancellation except on terms that will indemnify us against loss.

RETURNED GOODS

No material shall be returned to us for credit without our authorization and R. G. A. shipping papers. Conveyors are fabricated upon order and are not considered to be a restockable item.

CONTRACTS

All prices are F.O.B. factories unless otherwise agreed upon. Claims for shortages or damages to shipments while in transit should be made against the carrier.

SPECIAL TAXES

Any duty, impost, Federal, State or City taxes if and when assessed is to be paid by the purchaser.

MINIMUM ORDER CHARGE

The minimum charge for any parts order is \$50.00 net.

KWS MANUFACTURING COMPANY, INC.

3041 CONVEYOR DR. • BURLERSON, TEXAS 76028
P.O. BOX 1550 • JOSHUA, TEXAS 76058
871/295-2247 • 817/295-5951 • <http://www.kwsmfg.com>

DISTRIBUTED BY